





### Technical Details

#### Features

19" Compatibility  
IP55 Protection  
Fan Module  
Mounting Kit

#### Material

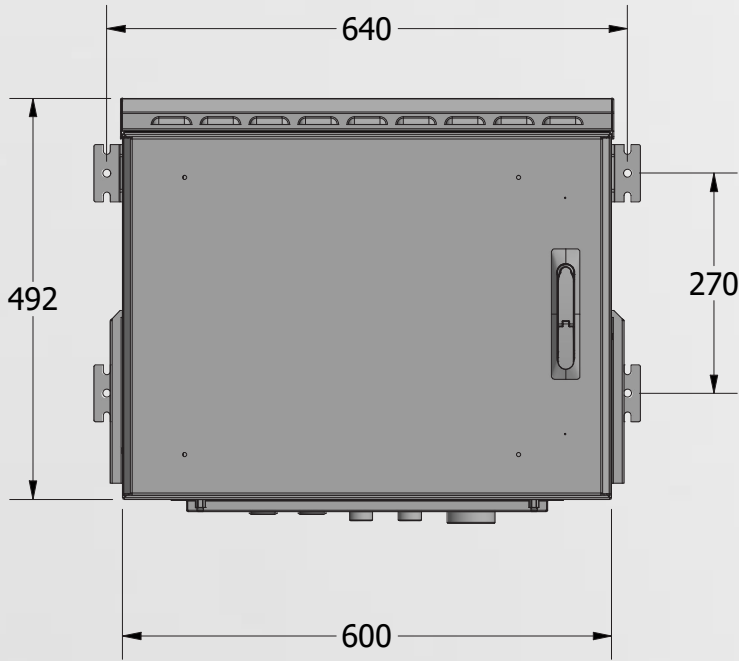
1.2 mm Steel

#### Dimensions

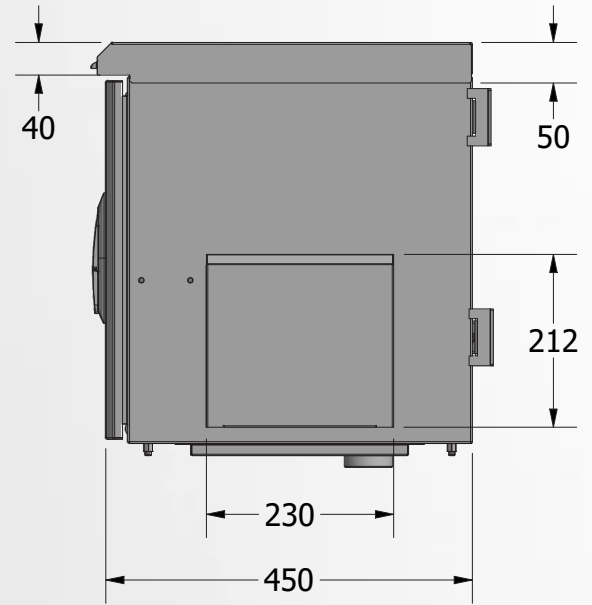
Size : 9U  
Width : 600 mm  
Height : 492 mm  
Depth : 450 mm

#### Appearance

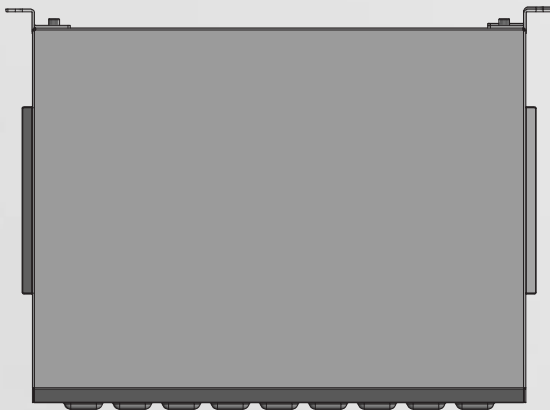
Finish Surface : Powder Coating  
Color : RAL7035



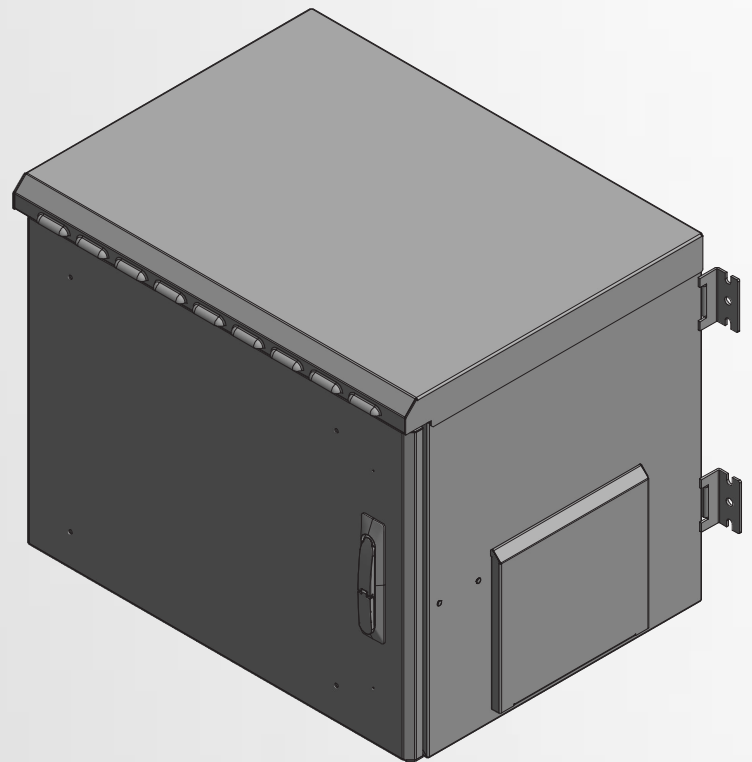
Front View



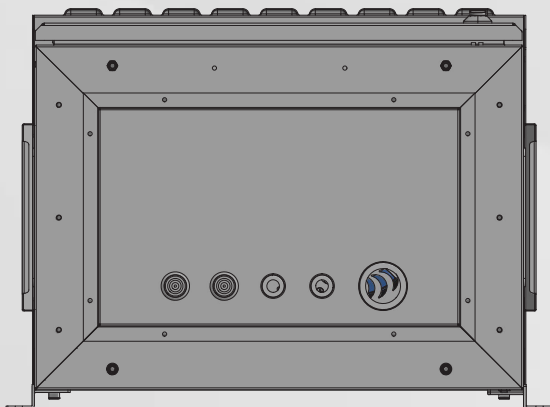
Side View



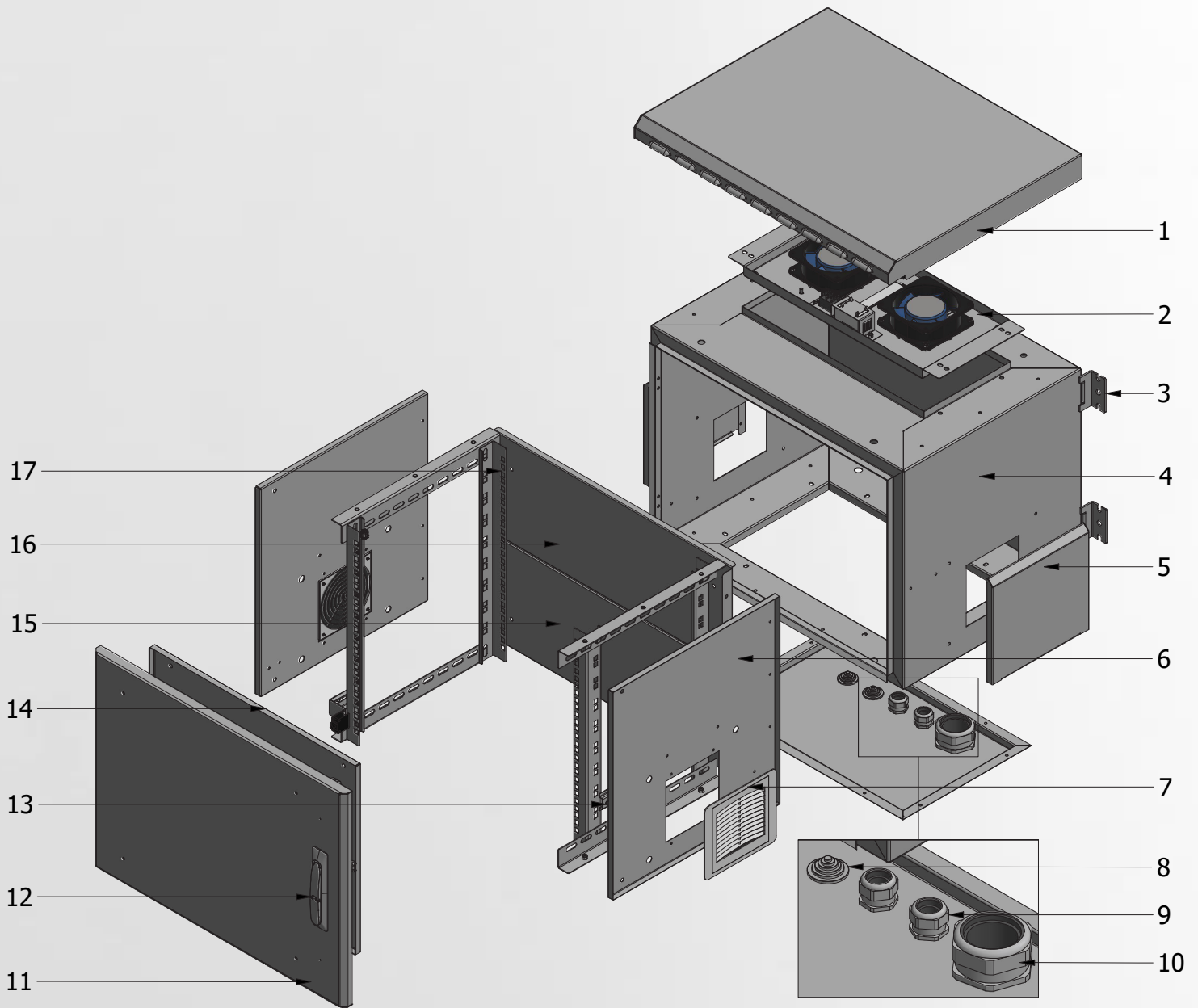
Top View



Front Isometric View



Bottom View



### COMPONENT LIST

NO	PART NAME	NO	PART NAME
1	Top Cover	10	PG48 Gland
2	Fan Module	11	Front Door
3	Wall Mounting Kit	12	Front Door Locking Mechanism
4	Cabinet Body	13	DIN Rail
5	Fan Cover	14	Inner Front Wall
6	Inner Side Wall	15	Inner Rear Wall (Lower)
7	Fan Filter	16	Inner Rear Wall (Upper)
8	Plastic Plug	17	19" Device Mounting Rail
9	PG21 Gland		