





Technical Details

Features

19" Compatibility
IP55 Protection
Fan Module
Mounting Kit

Material

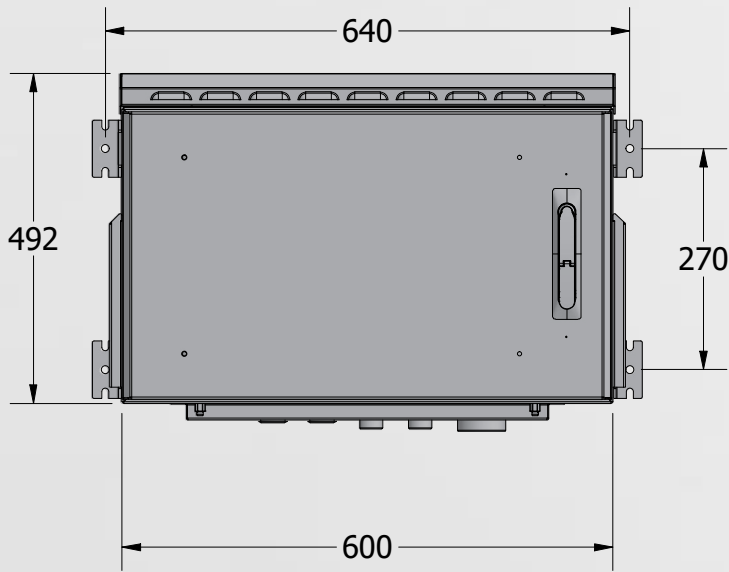
1.2 mm Steel

Dimensions

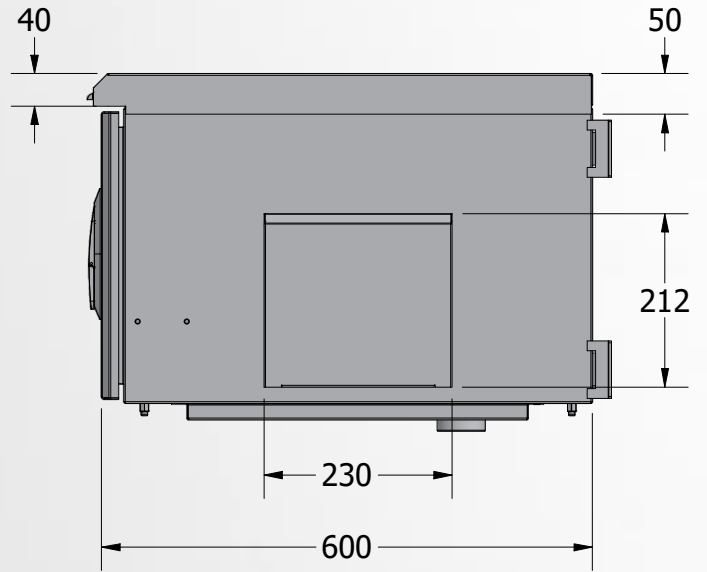
Size : 9U
Width : 600 mm
Height : 492 mm
Depth : 600 mm

Appearance

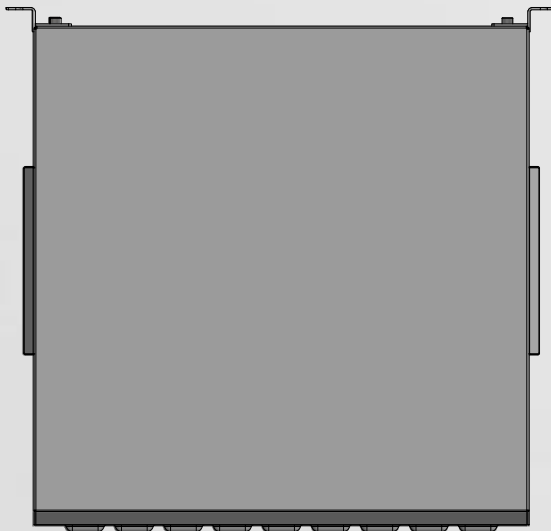
Finish Surface : Powder Coating
Color : RAL7035



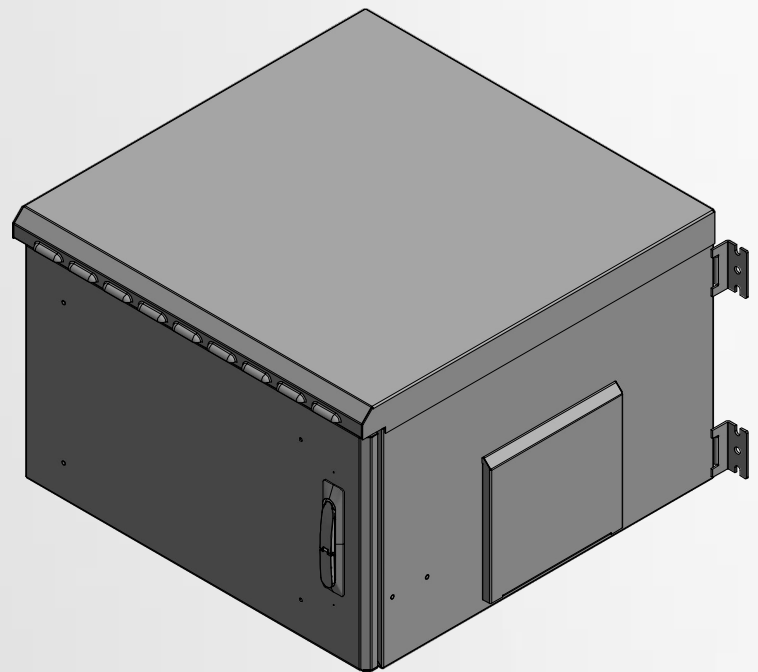
Front View



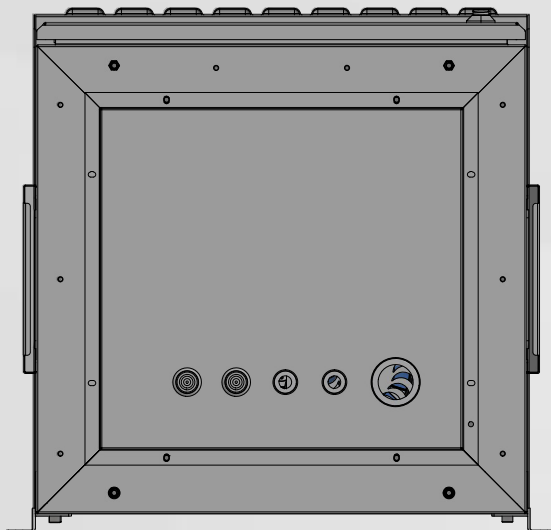
Side View



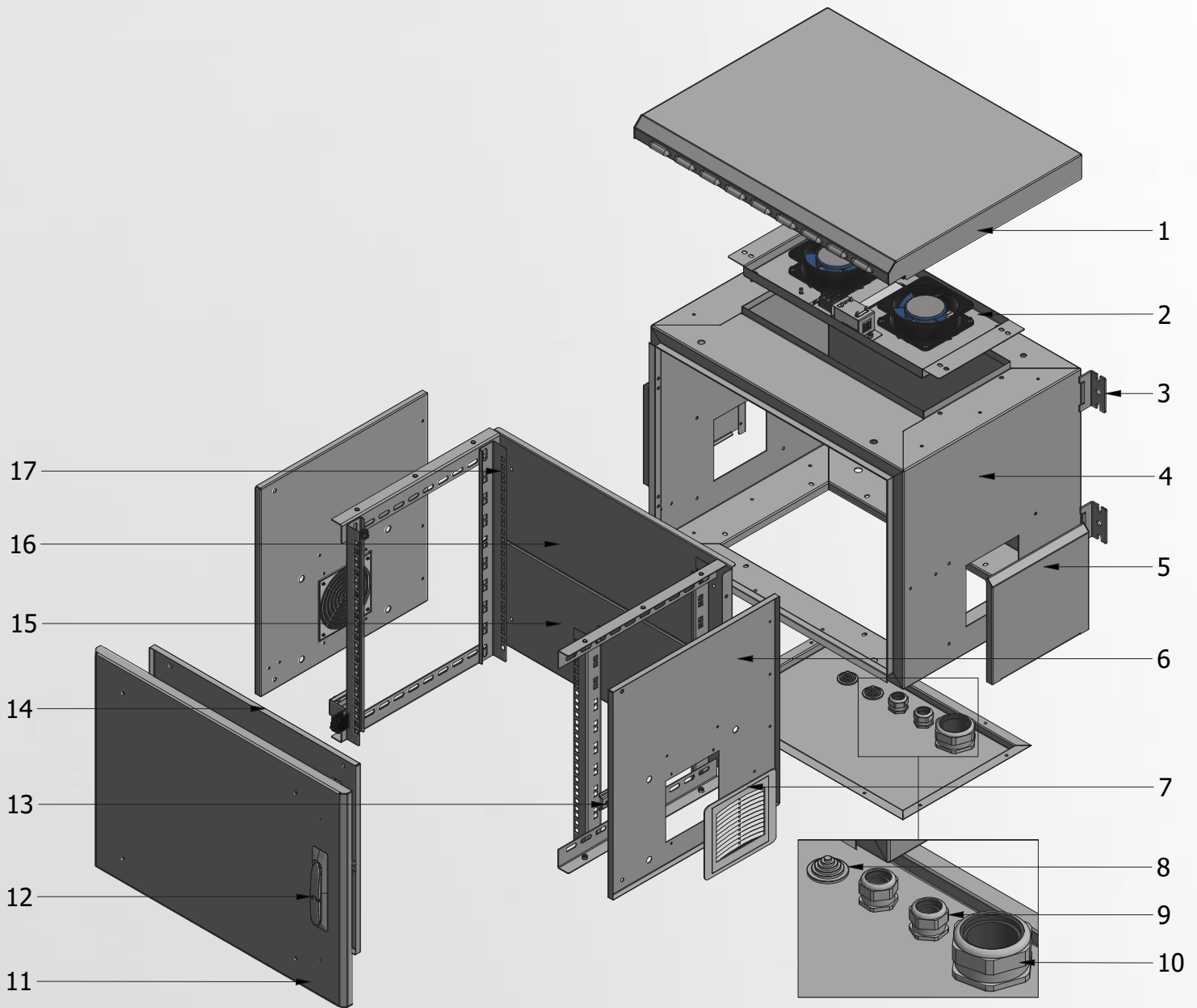
Top View



Front Isometric View



Bottom View



COMPONENT LIST

NO	PART NAME	NO	PART NAME
1	Top Cover	10	PG48 Gland
2	Fan Module	11	Front Door
3	Wall Mounting Kit	12	Front Door Locking Mechanism
4	Cabinet Body	13	DIN Rail
5	Fan Cover	14	Inner Front Wall
6	Inner Side Wall	15	Inner Rear Wall (Lower)
7	Fan Filter	16	Inner Rear Wall (Upper)
8	Plastic Plug	17	19" Device Mounting Rail
9	PG21 Gland		