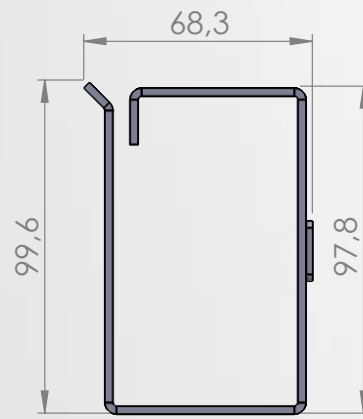
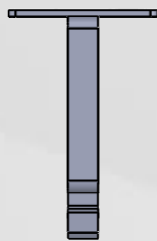


Front View



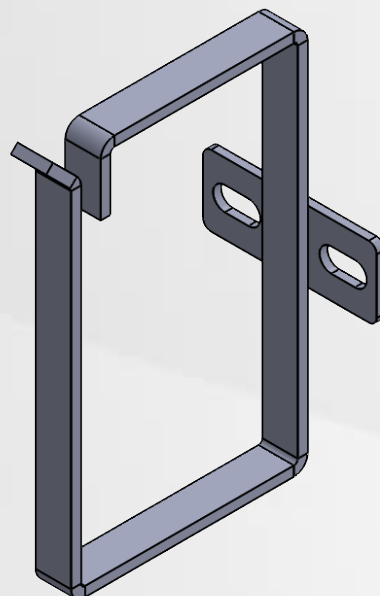
Side View



Top View



Bottom View



Front Isometric View